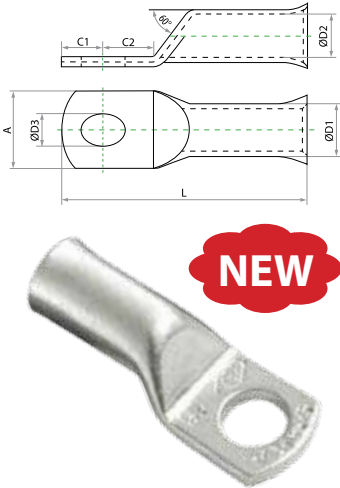


ELECTROLITIC COPPER 99.9 %

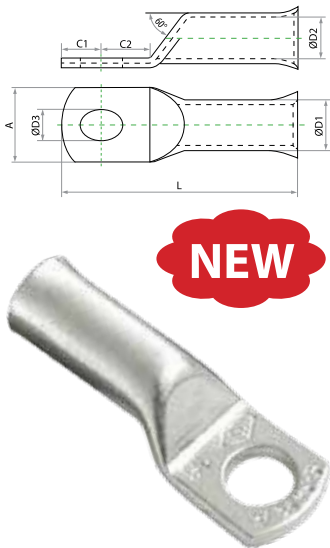
CONDUCTIVITY COEFFICIENT MIN. 56 ms/m

MINI COPPER CABLE LUGS



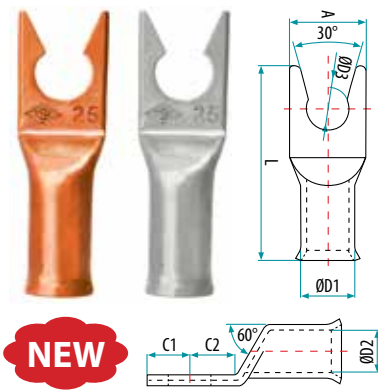
CODE	REF. NO	CABLE CROSS SECTION mm ²	BOLT	ØD1	ØD2	L	ØD3	A	C1	C2	PCS BOX
ONKA-6251	SKP-10	10	M5	6.5	5	25	5.5	9.5	5.5	6.5	1250
ONKA-6252	SKP-16	16	M6	7	5.5	27.5	6.5	10.5	5.5	6.5	750
ONKA-6253	SKP-25	25	M8	9	7.5	34	8.5	13	7	9	450
ONKA-6254	SKP-35	35	M8	10.5	8.5	39	8.5	15.5	8.5	9.5	300
ONKA-6255	SKP-50	50	M10	12	10	47	10.5	18	10	11.5	175
ONKA-6256	SKP-70	70	M10	14	11.5	49	10.5	20.5	10	11.5	125
ONKA-6257	SKP-95	95	M10	16	13.5	53	10.5	23.5	10	12	75
ONKA-6258	SKP-120	120	M12	18	15.5	63.5	13	26.5	13	14	50
ONKA-6259	SKP-150	150	M12	20	16.5	71	13	29	17	17	40
ONKA-6260	SKP-185	185	M16	22	18.5	77	17	32	17	18	30
ONKA-6261	SKP-240	240	M16	25.5	21.5	83	17	37.5	17	18	25

EXTRA STANDARD COPPER CABLE LUGS



CODE	REF. NO	CABLE CROSS SECTION mm ²	BOLT	ØD1	ØD2	L	ØD3	A	C1	C2	PCS BOX
ONKA-6025	SKP-6	6	M5	5.5	4	26	5.5	8.5	11	5	1500
ONKA-6026	SKP-10	10	M5	6.5	5	27.5	6.5	10.5	5.5	6.5	1000
ONKA-6027	SKP-16	16	M6	7.8	5.8	30	6.5	12	5.5	6.5	600
ONKA-6028	SKP-25	25	M8	9.5	7.2	40	8.5	14	7	9	300
ONKA-6029	SKP-35	35	M8	10.8	8.5	43.5	8.5	15.3	8.5	9.5	250
ONKA-6030	SKP-50	50	M10	13	10	51.5	10.5	20	10	11.5	150
ONKA-6031	SKP-70	70	M10	14.7	11.5	55	10.5	22	10	11.5	100
ONKA-6032	SKP-95	95	M10	16.7	13.5	59	10.5	26	10	12	75
ONKA-6033	SKP-120	120	M12	19	15.6	70	13	29	13	14	50
ONKA-6034	SKP-150	150	M12	21	17	77	13	32	17	17	40
ONKA-6035	SKP-185	185	M16	23	19	85	17	35	17	18	30
ONKA-6036	SKP-240	240	M16	26	21	90	17	38.5	17	18	25
ONKA-6037	SKP-300	300	M16	28.6	23.5	100	17	43	18	18	10
ONKA-6038	SKP-400	400	M16	32.8	27	110	17	50	20	20	10

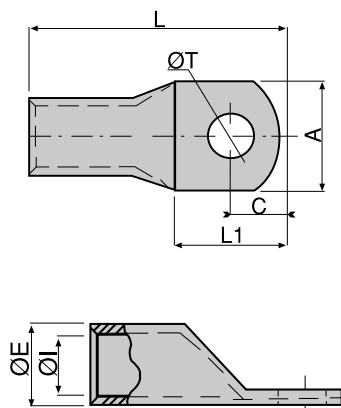
FORK TYPE COPPER CABLE LUGS



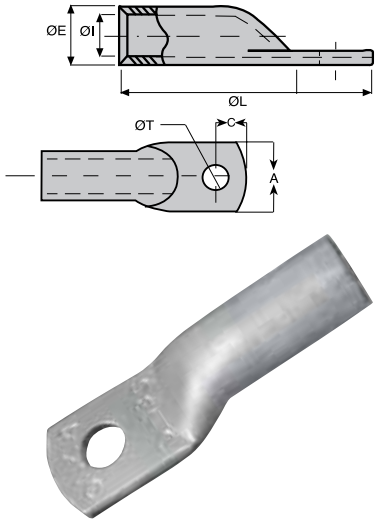
CODE	CABLE CROSS SECTION mm ²	BOLT	ØD1	ØD2	L	ØD3	A	C1	C2	PCS BOX
ONKA-6210	10	M5	6.5	5	25	5.5	9.5	5.5	6.5	1250
ONKA-6211	16	M6	7	5.5	27.5	6.5	10.5	5.5	6.5	750
ONKA-6212	25	M8	9	7.5	34	8.5	13	7	9	450
ONKA-6213	35	M8	10.5	8.5	39	8.5	15.5	8.5	9.5	300
ONKA-6214	50	M8	12	10	47	8.5	18	10	11.5	175

DIN NORM COPPER CABLE LUGS

CODE	REF. NR.	CABLE CROSS SECTION	BOLT	ØE	ØI	L	ØT	A	L1	C	PCS/BOX
ONKA-6050	DSKP-6-5	6 mm ²	M5	5.5	4	33.5	5.3	8.5	13	6	1000
ONKA-6051	DSKP-6-6		M6			33.5	6.4	8.5	13	6	
ONKA-6052	DSKP-10-5	10 mm ²	M5	6.5	5	37.5	5.3	10	14	6.5	800
ONKA-6053	DSKP-10-6		M6			37.5	6.4	10	14	6.5	
ONKA-6054	DSKP-16-6	16 mm ²	M6	8.5	6	49	6.4	13	15	7.5	300
ONKA-6055	DSKP-16-8		M8			49	8.4	13	15	7.5	
ONKA-6057	DSKP-25-6	25 mm ²	M6	10	7.5	51	6.4	14.5	16.5	9	250
ONKA-6058	DSKP-25-8		M8			51	8.4	14.5	16.5	9	
ONKA-6059	DSKP-25-10		M10			51	10.5	14.5	16.5	9	
ONKA-6060	DSKP-35-6	35 mm ²	M6	12.5	8.5	57	6.4	17.5	20.5	10	150
ONKA-6061	DSKP-35-8		M8			57	8.4	17.5	20.5	10	
ONKA-6062	DSKP-35-10		M10			57	10.5	17.5	20.5	10	
ONKA-6063	DSKP-35-12		M12			57	12.5	17.5	20.5	10	
ONKA-6064	DSKP-50-8	50 mm ²	M8	14.5	10	67	8.4	20.5	23	11	100
ONKA-6065	DSKP-50-10		M10			67	10.5	20.5	23	11	
ONKA-6066	DSKP-50-12		M12			67	12.5	20.5	23	11	
ONKA-6067	DSKP-50-14		M14			67	15	20.5	23	11	
ONKA-6068	DSKP-70-8	70 mm ²	M8	16.5	12	70	8.4	23.5	26	12.5	75
ONKA-6069	DSKP-70-10		M10			70	10.5	23.5	26	12.5	
ONKA-6070	DSKP-70-12		M12			70	12.5	23.5	26	12.5	
ONKA-6071	DSKP-70-14		M14			70	15	23.5	26	12.5	
ONKA-6072	DSKP-70-16		M16			70	17	23.5	26	12.5	
ONKA-6073	DSKP-95-8	95 mm ²	M8	19	13.5	81	8.4	27.5	28	13.5	40
ONKA-6074	DSKP-95-10		M10			81	10.5	27.5	28	13.5	
ONKA-6075	DSKP-95-12		M12			81	12.5	27.5	28	13.5	
ONKA-6076	DSKP-95-14		M14			81	15	27.5	28	13.5	
ONKA-6077	DSKP-95-16		M16			81	17	27.5	28	13.5	
ONKA-6078	DSKP-120-10	120 mm ²	M10	21	15.5	86	10.5	30	33	13.5	40
ONKA-6079	DSKP-120-12		M12			86	12.5	30	33	13.5	
ONKA-6080	DSKP-120-14		M14			86	15	30	33	13.5	
ONKA-6081	DSKP-120-16		M16			86	17	30	33	13.5	
ONKA-6082	DSKP-120-20		M20			86	21	30	33	13.5	
ONKA-6083	DSKP-150-10	150 mm ²	M10	23	17	97	10.5	32.5	35.5	18	25
ONKA-6084	DSKP-150-12		M12			97	12.5	32.5	35.5	18	
ONKA-6085	DSKP-150-14		M14			97	15	32.5	35.5	18	
ONKA-6086	DSKP-150-16		M16			97	17	32.5	35.5	18	
ONKA-6087	DSKP-150-20		M20			97	21	32.5	35.5	18	
ONKA-6088	DSKP-185-10	185 mm ²	M10	25.5	18	101	10.5	36	39	19	20
ONKA-6089	DSKP-185-12		M12			101	12.5	36	39	19	
ONKA-6090	DSKP-185-14		M14			101	15	36	39	19	
ONKA-6091	DSKP-185-16		M16			101	17	36	39	19	
ONKA-6092	DSKP-185-20		M20			101	21	36	39	19	
ONKA-6093	DSKP-240-10	240 mm ²	M10	28	22	111	10.5	40	41	19	15
ONKA-6094	DSKP-240-12		M12			111	12.5	40	41	19	
ONKA-6095	DSKP-240-14		M14			111	15	40	41	19	
ONKA-6096	DSKP-240-16		M16			111	17	40	41	19	
ONKA-6097	DSKP-240-20		M20			111	21	40	41	19	
ONKA-6098	DSKP-300-14	300 mm ²	M14	32	24.5	119	15	48	41	19	10
ONKA-6099	DSKP-300-16		M16			119	17	48	41	19	
ONKA-6100	DSKP-300-20		M20			119	21	48	41	19	
ONKA-6101	DSKP-400-14	400 mm ²	M14	38.5	27.5	140	15	55	41	19	10
ONKA-6102	DSKP-400-16		M16			140	17	55	41	19	
ONKA-6103	DSKP-400-20		M20			140	21	55	41	19	

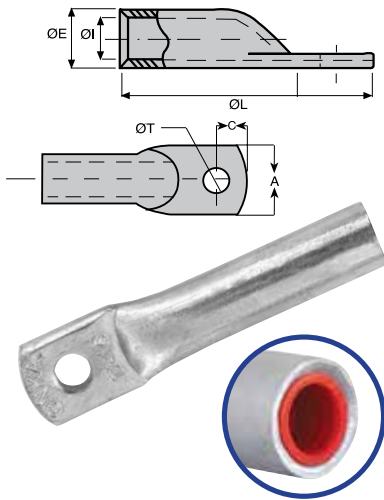


DIN NORM ALUMINIUM CABLE LUGS



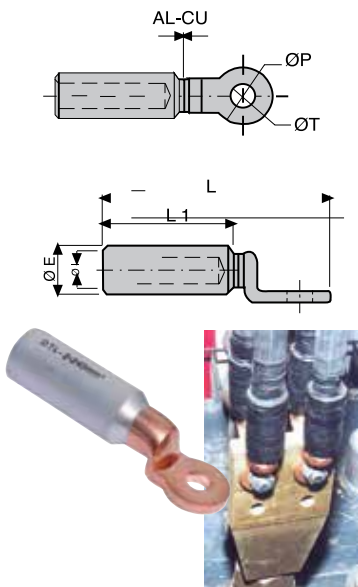
CODE	REF. NR.	CABLE CROSS SECTION	BOLT	ØE	ØI	L	ØT	A	L1	C	PCS/BOX
ONKA-6122	DSKP-10	10 mm ²	M6	8	5	50	6.4	9	14	7	300
ONKA-6123	DSKP-16	16 mm ²	M6	10	6	56	6.4	13	15	7.5	200
ONKA-6124	DSKP-25	25 mm ²	M8	12	7	62	8.4	16	18	9	100
ONKA-6125	DSKP-35	35 mm ²	M10	14	8.2	73	10.5	19	20	10	75
ONKA-6126	DSKP-50	50 mm ²	M10	16	10	80	10.5	22	23	11.5	70
ONKA-6127	DSKP-70	70 mm ²	M10	18	12	94	10.5	24	25	12.5	40
ONKA-6128	DSKP-95	95 mm ²	M12	22	13.4	102	13	28	27	13.5	25
ONKA-6129	DSKP-120	120 mm ²	M12	23	16	112	13	32	32	16	25
ONKA-6130	DSKP-150	150 mm ²	M14	26	17	114	15	34	35	17.5	15
ONKA-6131	DSKP-185	185 mm ²	M14	28	18.5	125	15	37	38	19	10
ONKA-6132	DSKP-240	240 mm ²	M14	32	22	141.5	17	42	40	20	8

DIN NORM ALUMINIUM CABLE LUGS (WITH COVER & OIL) (TIN PLATED)



CODE	REF. NR.	CABLE CROSS SECTION	BOLT	ØE	ØI	L	ØT	A	L1	C	PCS/BOX
ONKA-6237	DSKP-10	10 mm ²	M6	8	5	50	6.4	9	14	7	300
ONKA-6238	DSKP-16	16 mm ²	M6	10	6	56	6.4	13	15	7.5	200
ONKA-6239	DSKP-25	25 mm ²	M8	12	7	62	8.4	16	18	9	100
ONKA-6240	DSKP-35	35 mm ²	M10	14	8.2	73	10.5	19	20	10	75
ONKA-6241	DSKP-50	50 mm ²	M10	16	10	80	10.5	22	23	11.5	70
ONKA-6242	DSKP-70	70 mm ²	M10	18	12	94	10.5	24	25	12.5	40
ONKA-6243	DSKP-95	95 mm ²	M12	22	13.4	102	13	28	27	13.5	25
ONKA-6244	DSKP-120	120 mm ²	M12	23	16	112	13	32	32	16	25
ONKA-6245	DSKP-150	150 mm ²	M14	26	17	114	15	34	35	17.5	15
ONKA-6246	DSKP-185	185 mm ²	M14	28	18.5	125	15	37	38	19	10
ONKA-6247	DSKP-240	240 mm ²	M14	32	22	141.5	17	42	40	20	8

BIMETAL (AL-CU) CABLE LUGS



CODE	REF. NR.	CABLE CROSS SECTION	ØE	ØI	L	ØT	L1	PCS/BOX
ONKA-6108	TBF-16	16 mm ²	20	6,5	84	12,8	46	30
ONKA-6109	TBF-25	25 mm ²	20	6,5	84	12,8	46	30
ONKA-6110	TBF-35	35 mm ²	20	8	84	12,8	46	30
ONKA-6111	TBF-50	50 mm ²	20	9	84	12,8	46	30
ONKA-6112	TBF-70	70 mm ²	20	11	84	12,8	46	30
ONKA-6113	TBF-95	95 mm ²	20	12,5	84	12,8	46	30
ONKA-6114	TBF-120	120 mm ²	25	13,7	107	12,8	62,5	30
ONKA-6115	TBF-150	150 mm ²	25	15,5	107	12,8	62,5	30
ONKA-6116	TBF-185	185 mm ²	32	17	117	14,5	64	30
ONKA-6117	TBF-240	240 mm ²	32	19,5	117	14,5	64	15
ONKA-6118	TBF-300	300 mm ²	36	23,3	157	16,3	90	15
ONKA-6119	TBF-400	400 mm ²	36	26	157	16,3	90	10

WELDED TYPE COPPER CABLE LUGS

DIN 46234 Standard Copper (Nickel Plated)

CODE	CROSS SECTION	METRIC DIMENSION (d2)	d ₁	l ₁	b	l ₂	d ₂	PCS/BOX
ONKA-102000	0.5 - 1 mm ²	M2.5	1.6	10.8	6.0	4.8	2.2	1000
ONKA-102002	0.5 - 1 mm ²	M3	1.6	10.8	6.0	4.8	3.2	1000
ONKA-102004	0.5 - 1 mm ²	M3.5	1.6	10.8	6.0	4.8	3.7	1000
ONKA-102006	0.5 - 1 mm ²	M4	1.6	11.8	8.0	4.8	4.3	1000
ONKA-102008	0.5 - 1 mm ²	M5	1.6	12.8	10.0	4.8	5.3	1000
ONKA-102010	0.5 - 1 mm ²	M6	1.6	14.8	11.0	4.8	6.5	1000
ONKA-102011	0.5 - 1 mm ²	M8	1.6	17.0	14.0	4.8	8.4	1000
ONKA-102012	1.5 - 2.5 mm ²	M3	2.3	10.8	6.0	4.8	3.2	1000
ONKA-102014	1.5 - 2.5 mm ²	M3.5	2.3	10.8	6.0	4.8	3.7	1000
ONKA-102016	1.5 - 2.5 mm ²	M4	2.3	11.8	8.0	4.8	4.3	1000
ONKA-102018	1.5 - 2.5 mm ²	M5	2.3	13.8	10.0	4.8	5.3	1000
ONKA-102020	1.5 - 2.5 mm ²	M6	2.3	15.8	11.0	4.8	6.5	1000
ONKA-102022	1.5 - 2.5 mm ²	M8	2.3	16.8	14.0	4.8	8.4	1000
ONKA-102023	1.5 - 2.5 mm ²	M10	2.3	17.0	15.0	4.8	10.5	1000
ONKA-102024	4 - 6 mm ²	M4	3.6	14.0	8.0	6.0	4.3	100
ONKA-102026	4 - 6 mm ²	M5	3.6	15.0	10.0	6.0	5.3	100
ONKA-102028	4 - 6 mm ²	M6	3.6	16.0	11.0	6.0	6.5	100
ONKA-102030	4 - 6 mm ²	M8	3.6	19.0	14.0	6.0	8.4	100
ONKA-102032	4 - 6 mm ²	M10	3.6	21.0	18.0	6.0	10.5	100
ONKA-102033	4 - 6 mm ²	M12	3.6	21.0	18.0	6.0	13.0	100
ONKA-102034	10 mm ²	M4	4.5	16.0	10.0	8.0	4.3	100
ONKA-102036	10 mm ²	M5	4.5	16.0	10.0	8.0	5.3	100
ONKA-102038	10 mm ²	M6	4.5	17.0	11.0	8.0	6.5	100
ONKA-102040	10 mm ²	M8	4.5	20.0	14.0	8.0	8.4	100
ONKA-102042	10 mm ²	M10	4.5	21.0	18.0	8.0	10.5	100
ONKA-102044	10 mm ²	M12	4.5	23.0	22.0	8.0	13.0	100
ONKA-102046	16 mm ²	M5	5.8	20.0	11.0	10.0	5.3	100
ONKA-102048	16 mm ²	M6	5.8	20.0	11.0	10.0	6.5	100
ONKA-102050	16 mm ²	M8	5.8	22.0	14.0	10.0	8.4	100
ONKA-102052	16 mm ²	M10	5.8	24.0	18.0	10.0	10.5	100
ONKA-102054	16 mm ²	M12	5.8	26.0	22.0	10.0	13.0	100
ONKA-102056	25 mm ²	M5	7.5	25.0	12.0	11.0	5.3	100
ONKA-102058	25 mm ²	M6	7.5	25.0	12.0	11.0	6.5	100
ONKA-102060	25 mm ²	M8	7.5	25.0	16.0	11.0	8.4	100
ONKA-102062	25 mm ²	M10	7.5	26.0	18.0	11.0	10.5	100
ONKA-102064	25 mm ²	M12	7.5	31.0	22.0	11.0	13.0	100
ONKA-102066	25 mm ²	M14	7.5	31.0	22.0	11.0	15.0	100
ONKA-102068	25 mm ²	M16	7.5	35.0	28.0	11.0	17.0	100
ONKA-102070	35 mm ²	M6	9.0	26.0	15.0	12.0	6.5	100
ONKA-102072	35 mm ²	M8	9.0	26.0	16.0	12.0	8.4	100
ONKA-102074	35 mm ²	M10	9.0	27.0	18.0	12.0	10.5	100
ONKA-102076	35 mm ²	M12	9.0	31.0	22.0	12.0	13.0	100
ONKA-102078	35 mm ²	M14	9.0	31.0	22.0	12.0	15.0	100
ONKA-102080	35 mm ²	M16	9.0	35.0	28.0	12.0	17.0	100
ONKA-102082	50 mm ²	M6	11.0	34.0	18.0	16.0	6.5	100
ONKA-102084	50 mm ²	M8	11.0	34.0	18.0	16.0	8.4	100
ONKA-102086	50 mm ²	M10	11.0	34.0	18.0	16.0	10.5	100
ONKA-102088	50 mm ²	M12	11.0	36.0	22.0	16.0	13.0	100
ONKA-102090	50 mm ²	M14	11.0	36.0	22.0	16.0	15.0	100
ONKA-102092	50 mm ²	M16	11.0	40.0	22.0	16.0	17.0	100
ONKA-102093	70 mm ²	M6	15.0	38.0	22.0	18.0	6.5	100
ONKA-102094	70 mm ²	M8	15.0	38.0	22.0	18.0	8.4	100
ONKA-102096	70 mm ²	M10	15.0	38.0	22.0	18.0	10.5	100
ONKA-102098	70 mm ²	M12	15.0	38.0	22.0	18.0	13.0	100
ONKA-102100	70 mm ²	M14	15.0	38.0	22.0	18.0	15.0	100
ONKA-102102	70 mm ²	M16	15.0	42.0	28.0	18.0	17.0	100
ONKA-102103	95 mm ²	M8	15.0	42.0	24.0	20.0	8.4	100
ONKA-102104	95 mm ²	M10	15.0	42.0	24.0	20.0	10.5	100
ONKA-102106	95 mm ²	M12	15.0	42.0	24.0	20.0	13.0	100
ONKA-102108	95 mm ²	M14	15.0	42.0	24.0	20.0	15.0	100
ONKA-102110	95 mm ²	M16	15.0	44.0	28.0	20.0	17.0	100
ONKA-102111	120 mm ²	M8	16.5	44.0	24.0	22.0	8.4	50
ONKA-102112	120 mm ²	M10	16.5	44.0	24.0	22.0	10.5	50
ONKA-102114	120 mm ²	M12	16.5	44.0	24.0	22.0	13.0	50
ONKA-102116	120 mm ²	M14	16.5	44.0	24.0	22.0	15.0	50
ONKA-102118	120 mm ²	M16	16.5	48.0	28.0	22.0	17.0	50
ONKA-102120	150 mm ²	M10	19.0	50.0	30.0	24.0	10.5	50
ONKA-102123	150 mm ²	M12	19.0	50.0	30.0	24.0	13.0	50
ONKA-102124	150 mm ²	M14	19.0	50.0	30.0	24.0	15.0	50
ONKA-102126	150 mm ²	M16	19.0	50.0	30.0	24.0	17.0	50
ONKA-102127	185 mm ²	M10	21.0	50.0	36.0	28.0	10.5	50
ONKA-102128	185 mm ²	M12	21.0	50.0	36.0	28.0	13.0	50
ONKA-102130	185 mm ²	M14	21.0	50.0	36.0	28.0	15.0	50
ONKA-102132	185 mm ²	M16	21.0	50.0	36.0	28.0	17.0	50
ONKA-102133	240 mm ²	M10	23.5	56.0	38.0	32.0	10.5	50
ONKA-102134	240 mm ²	M12	23.5	56.0	38.0	32.0	13.0	50
ONKA-102136	240 mm ²	M14	23.5	56.0	38.0	32.0	15.0	50
ONKA-102138	240 mm ²	M16	23.5	56.0	38.0	32.0	17.0	50



INSULATION COVERS FOR CUPPER CABLE LUGS



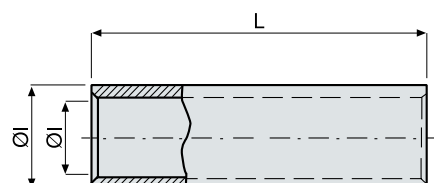
CODE	COLOURS	DESCRIPTIONS	PCS/BOX
SKP-PK10		Insulation Covers For 10 mm ²	600
SKP-PK16		Insulation Covers For 16 mm ²	300
SKP-PK25		Insulation Covers For 25 mm ²	200
SKP-PK35		Insulation Covers For 35 mm ²	150
SKP-PK50		Insulation Covers For 50 mm ²	125
SKP-PK70		Insulation Covers For 70 mm ²	80
SKP-PK95		Insulation Covers For 95 mm ²	60
SKP-PK120		Insulation Covers For 120 mm ²	40
SKP-PK150		Insulation Covers For 150 mm ²	30
SKP-PK185		Insulation Covers For 185 mm ²	20
SKP-PK240		Insulation Covers For 240 mm ²	15

MINI COPPER BUTT CONNECTORS



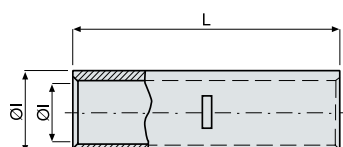
CODE	REF. NR.	CABLE CROSS SECTION	ØE	Ø	L	PCS/BOX
ONKA - 6141	SEM-10	10 mm ²	6.6	4.7	25	750
ONKA - 6142	SEM-16	16 mm ²	7.8	5.6	29	500
ONKA - 6143	SEM-25	25 mm ²	9.5	7.1	40.5	300
ONKA - 6144	SEM-35	35 mm ²	10.8	8.2	45.5	300
ONKA - 6145	SEM-50	50 mm ²	13	10	52	150
ONKA - 6146	SEM-70	70 mm ²	14.7	11.5	56.1	100
ONKA - 6147	SEM-95	95 mm ²	16.7	13.5	60.3	75
ONKA - 6148	SEM-120	120 mm ²	18	15.5	64	—
ONKA - 6149	SEM-150	150 mm ²	20	16.5	71.5	—
ONKA - 6150	SEM-185	185 mm ²	22	18.5	77.5	—
ONKA - 6151	SEM-240	240 mm ²	25.5	21.5	83.5	—

EXTRA STANDARD COPPER BUTT CONNECTORS



CODE	REF. NR.	CABLE CROSS SECTION	ØE	ØI	L	PCS/BOX
ONKA - 6160	SEM-6	6 mm ²	5.5	4	31.5	1000
ONKA - 6161	SEM-10	10 mm ²	6.5	5	31.5	750
ONKA - 6162	SEM-16	16 mm ²	8	6	34	500
ONKA - 6163	SEM-25	25 mm ²	9	7	42	400
ONKA - 6164	SEM-35	35 mm ²	11	8.5	48	250
ONKA - 6165	SEM-50	50 mm ²	13	10	56	150
ONKA - 6166	SEM-70	70 mm ²	15	12	59	100
ONKA - 6167	SEM-95	95 mm ²	17	14	65	75
ONKA - 6168	SEM-120	120 mm ²	19	15	76	50
ONKA - 6169	SEM-150	150 mm ²	21	17	82	35
ONKA - 6170	SEM-185	185 mm ²	23	19	93.5	25
ONKA - 6171	SEM-240	240 mm ²	25	21	103	20
ONKA - 6172	SEM-300	300 mm ²	29	24	112	15
ONKA - 6173	SEM-400	400 mm ²	32	27	129	10

DIN NORM COPPER BUTT CONNECTORS 46235 TYPE



CODE	REF. NR.	CABLE CROSS SECTION	ØE	ØI	L	PCS/BOX
ONKA - 6180	SEM-6	6 mm ²	6	4	36	500
ONKA - 6181	SEM-10	10 mm ²	6	5	39	400
ONKA - 6182	SEM-16	16 mm ²	6.5	5	53	250
ONKA - 6183	SEM-25	25 mm ²	10	7.5	54	250
ONKA - 6184	SEM-35	35 mm ²	12.5	8.5	60	100
ONKA - 6185	SEM-50	50 mm ²	14.5	10	70	100
ONKA - 6186	SEM-70	70 mm ²	16.5	12	74	50
ONKA - 6187	SEM-95	95 mm ²	19	13.5	84	50
ONKA - 6188	SEM-120	120 mm ²	21	15.5	91	50
ONKA - 6189	SEM-150	150 mm ²	23	17	100	20
ONKA - 6190	SEM-185	185 mm ²	25.5	18	103	20
ONKA - 6191	SEM-240	240 mm ²	28	22	113	10
ONKA - 6192	SEM-300	300 mm ²	32	24.5	122	10
ONKA - 6193	SEM-400	400 mm ²	38.5	27.5	145	10

DIN NORM ALUMINIUM COPPER BUTT CONNECTORS



CODE	CABLE CROSS SECTION	PCS/BOX
ONKA - 6270	DEM-10 mm ²	300
ONKA - 6271	DEM-16 mm ²	250
ONKA - 6272	DEM-25 mm ²	150
ONKA - 6273	DEM-35 mm ²	100
ONKA - 6274	DEM-50 mm ²	75
ONKA - 6275	DEM-70 mm ²	40
ONKA - 6276	DEM-95 mm ²	20
ONKA - 6277	DEM-120 mm ²	15
ONKA - 6278	DEM-150 mm ²	8
ONKA - 6279	DEM-185 mm ²	7
ONKA - 6280	DEM-240 mm ²	5

SCREWED ON BRASS (MS 58) BUTT CONNECTORS



CODE	CABLE CROSS SECTION	PCS/BOX
ONKA - 6200	6 mm ²	400
ONKA - 6201	10 mm ²	300
ONKA - 6202	16 mm ²	250
ONKA - 6203	25 mm ²	200
ONKA - 6204	35 mm ²	200
ONKA - 6205	50 mm ²	150
ONKA - 6206	70 mm ²	100
ONKA - 6207	95 mm ²	50

SCREWED-ON BRASS CONTACTS FOR TERMINAL STRIPS (MS 58)



CODE	DESCRIPTIONS	PCS/BOX
ONKA - 6220	Contact For Terminal Strips Nr. 1 - 2,5 - 4 mm ²	1000
ONKA - 6221	Contact For Terminal Strips Nr. 2 - 4 - 6 mm ²	1000
ONKA - 6222	Contact For Terminal Strips Nr. 3 - 6 - 10 mm ²	1000
ONKA - 6223	Contact For Terminal Strips Nr. 4 - 10 - 16 mm ²	1000
ONKA - 6224	Contact For Terminal Strips Nr. 5 - 16 - 25 mm ²	1000

U CLAMPS



CODE	CABLE CROSS SECTION	PCS/BOX
ONKA - 7050	U Clamp 6 mm ²	300
ONKA - 7051	U Clamp 10 mm ²	250
ONKA - 7052	U Clamp 16 mm ²	150
ONKA - 7053	U Clamp 25 mm ²	100
ONKA - 7054	U Clamp 35 mm ²	75
ONKA - 7055	U Clamp 50 mm ²	50
ONKA - 7056	U Clamp 70 mm ²	40
ONKA - 7057	U Clamp 95 mm ²	30
ONKA - 7058	U Clamp 120 mm ²	10
ONKA - 7059	U Clamp 150 mm ²	10
ONKA - 7060	U Clamp Slot	100

CLAWED CLAMPS



CODE	CABLE CROSS SECTION	PCS/BOX
ONKA - 7070	No. 1 Clawed Clamp 16 mm ²	500
ONKA - 7071	No. 2 Clawed Clamp 25 mm ²	250
ONKA - 7072	No. 3 Clawed Clamp 35 mm ²	100
ONKA - 7073	No. 4 Clawed Clamp 50 mm ²	100
ONKA - 7074	No. 5 Clawed Clamp 70 mm ²	100
ONKA - 7075	No. 6-7 Clawed Clamp 120 mm ²	50

H CLAMPS



CODE	DESCRIPTIONS	LENGTH (mm)	DIAMETER (mm)	PCS/BOX
ONKA - 7068	H16-25-35-50-70-95-120	30	22	50

C CLAMPS



CODE	DESCRIPTIONS	LENGTH (mm)	DIAMETER (mm)	PCS/BOX
ONKA - 7061	CK01 16 - 25	18	16	50
ONKA - 7062	CK02 25 - 35	27	20	50
ONKA - 7063	CK03 35 - 50	32	25	50
ONKA - 7064	CK04 50 - 70	41	30	50
ONKA - 7065	CK05 70 - 95	45	35	50
ONKA - 7066	CK06 95 - 120	60	40	50
ONKA - 7067	CK07 120 - 150	65	45	50

BIMETALLIC AL-CU CLAMPS



CODE	DESCRIPTIONS	COMPRESSION AREA (mm)	CONDUCTIVE MATERIALS	PCS/BOX
ONKA - 7001	A 25 - B 16 AL-CU Clamp	6 - 25 Al / 25 - 16 Cu	Rose	100
ONKA - 7002	A 40 - B 25 AL-CU Clamp	16 - 40 Al / 10 - 25 Cu	Rose, Lily, Swallow, Sparrow	100
ONKA - 7003	A 70 - B 50 AL-CU Clamp	16 - 70 Al / 10 - 50 Cu	Rose, Lily, Swallow, Sparrow	50
ONKA - 7004	A 120 - B 506 AL-CU Clamp	70 - 120 Al / 10 - 50 Cu	Pannsey, Aster, Pholx, Oxlip Raven, Pigeon	50
ONKA - 7005	A 120 - B 70 AL-CU Clamp	70 - 120 Al / 10 - 70 Cu	Pannsey, Aster, Pholx, Oxlip Raven, Pigeon	50
ONKA - 7006	A 240 - B 120 AL-CU Clamp	70 - 240 Al / 50 - 120 Cu	Daisy, Peony, Tulip, Canna Patridge, Ostrich, Hawk	25
ONKA - 7007	A 240 - B 240 AL-CU Clamp	240 Al / 240 Cu	Daisy, Peony, Tulip, Canna Patridge, Ostrich, Hawk	25

ALUMINIUM PARALLEL GROOVE CLAMPS



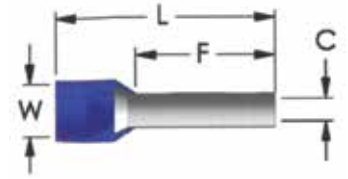
CODE	DESCRIPTIONS	COMPRESSION AREA (mm)	CONDUCTIVE MATERIALS	PCS/BOX
ONKA - 7020	A16-16 Bimetallic Clamp	6 - 16 Al	Rose	100
ONKA - 7021	A25-25 Braşman Clamp	6 - 25 Al	Rose	100
ONKA - 7022	A40-40 Bimetallic Clamp	16 - 40 Al	Rose, Lily, Swallow, Sparrow	100
ONKA - 7023	A70-70 Bimetallic Clamp	16 - 70 Al	Rose, Lily, Pansy, Swallow, Sparrow	50
ONKA - 7024	A95-95 Bimetallic Clamp	25 - 95 Al	Lily, Pansy, Swallow, Aster, Rawen	50
ONKA - 7025	A120-120 Bimetallic Clamp	40 - 120 Al	Pannsey, Aster, Pholx, Oxlip Swallow, robinone, Rawen	50
ONKA - 7026	A150-150 Bimetallic Clamp	40 - 150 Al	Pannsey, Aster, Pholx, Oxlip Swallow, robinone, Rawen	25
ONKA - 7027	A240-240 Bimetallic Clamp	40 - 240 Al	Daisy, Peony, Tulip, Canna Patridge, Ostrich, Hawk	25
ONKA - 7028	Bimetallic Cover		A70-A70/A70-B50	100

STOPPER CLAMPS



CODE	DESCRIPTIONS	COMPRESSION AREA (mm)	CONDUCTIVE MATERIALS	PCS/BOX
ONKA - 7040	A16-A50 Stopper Clamp	16 - 50 Al	Rose, Lily, Swallow, Sparrow, Swallow	50
ONKA - 7041	A50-A95 Stopper Clamp	50 - 95 Al	Popy, Aster, Pholx, Raven, Rabinone	50
ONKA - 7042	A95-A120 Stopper Clamp	95 - 120 Al	Popy, Aster, Pholx, Raven, Rabinone	50

INSULATED CORD AND TERMINAL DIN NORM



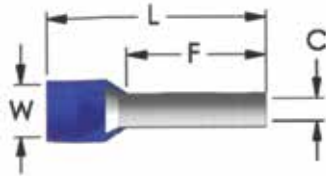
COLOUR CODES		
FRENCH	GERMAN	DIN

CODE	CABLE CROSS SECTION (mm ²)	F	L	C	W	PCS/BOX
ONKA - 8000	0.14	6.0	10.0	0.70	1.6	1.000
ONKA - 8001	0.14	8.0	12.0	0.70	1.6	1.000
ONKA - 8002	0.25	6.0	10.0	0.75	1.9	1.000
ONKA - 8003	0.25	8.0	12.0	0.75	1.9	1.000
ONKA - 8004	0.34	6.0	10.0	0.80	1.9	1.000
ONKA - 8005	0.34	8.0	12.0	0.80	1.9	1.000
ONKA - 8006	0.50	6.0	12.0	1.00	2.6	1.000
ONKA - 8007	0.50	8.0	14.0	1.00	2.6	1.000
ONKA - 8008	0.50	10.0	16.0	1.00	2.6	1.000
ONKA - 8009	0.75	6.0	12.0	1.20	2.8	1.000
ONKA - 8010	0.75	8.0	14.0	1.20	2.8	1.000
ONKA - 8011	0.75	10.0	16.0	1.20	2.8	1.000
ONKA - 8012	0.75	12.0	18.0	1.20	2.8	1.000
ONKA - 8013	1.00	6.0	12.0	1.40	3.0	1.000
ONKA - 8014	1.00	8.0	14.0	1.40	3.0	1.000
ONKA - 8015	1.00	10.0	16.0	1.40	3.0	1.000
ONKA - 8016	1.00	12.0	18.0	1.40	3.0	1.000
ONKA - 8017	1.50	8.0	14.0	1.70	3.5	500
ONKA - 8018	1.50	10.0	16.0	1.70	3.5	500
ONKA - 8019	1.50	12.0	18.0	1.70	3.5	500
ONKA - 8020	1.50	18.0	24.0	1.70	3.5	500
ONKA - 8021	2.50	8.0	14.0	2.20	4.2	500
ONKA - 8022	2.50	10.0	16.0	2.20	4.2	500
ONKA - 8023	2.50	12.0	18.0	2.20	4.2	500
ONKA - 8024	2.50	18.0	24.0	2.20	4.2	500
ONKA - 8025	4.00	10.0	17.0	2.80	4.8	200
ONKA - 8026	4.00	12.0	20.0	2.80	4.8	200
ONKA - 8027	4.00	18.0	26.0	2.80	4.8	200
ONKA - 8028	6.00	12.0	20.0	3.50	6.3	200
ONKA - 8029	6.00	18.0	26.0	3.50	6.3	200
ONKA - 8030	10	12.0	22.0	4.50	7.6	100
ONKA - 8031	10	18.0	28.0	4.50	7.6	100
ONKA - 8032	16	12.0	24.0	5.80	8.8	75
ONKA - 8033	16	18.0	28.0	5.80	8.8	75
ONKA - 8034	25	16.0	30.0	7.30	11.2	50
ONKA - 8156	25	18.0	32.0	7.30	11.2	50
ONKA - 8035	25	22.0	36.0	7.30	11.2	50
ONKA - 8036	35	16.0	30.0	8.30	12.7	25
ONKA - 8037	35	18.0	32.0	8.30	12.7	25
ONKA - 8038	35	25.0	39.0	8.30	12.7	25
ONKA - 8039	50	20.0	36.0	10.30	15.0	25
ONKA - 8040	50	25.0	40.0	10.30	15.0	25
ONKA - 8041	70	21.0	37.0	13.50	16.0	10
ONKA - 8042	95	25.0	44.0	14.70	18.0	10
ONKA - 8043	120	27.0	48.0	16.70	20.0	10
ONKA - 8044	150	32.0	58.0	19.50	23.0	10

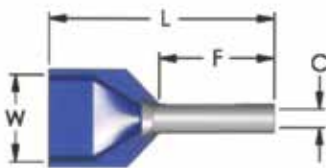
DIN 46228 Standard,
Copper (Nickel plated),
Insulated with polyamide
Working temperature
-40 °C, +105 °C



INSULATED CORD AND TERMINAL DIN NORM

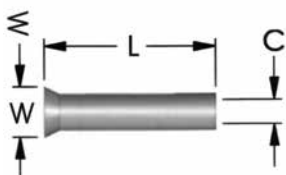


CODE	CROSS SECTION (mm ²)	F	L	C	W	PCS/BOX
ONKA - 8007 - P	0.50	8.0	14.00	1.0	2.6	1000
ONKA - 8010 - P	0.75	8.0	14.00	1.2	2.8	1000
ONKA - 8014 - P	1.0	8.0	14.00	1.4	3.0	500
ONKA - 8017 - P	1.5	8.0	14.00	1.7	3.5	500
ONKA - 8021 - P	2.5	8.0	14.00	2.2	4.2	500
ONKA - 8025 - P	4.0	10.0	17.00	2.8	4.8	500
ONKA - 8028 - P	6.0	12.0	20.00	3.5	6.3	500
ONKA - 8030 - P	10	12.0	22.00	4.5	7.6	500
ONKA - 8032 - P	16	12.0	24.00	5.8	8.8	500
ONKA - 8034 - P	25	16.0	30.00	7.3	11.2	500
ONKA - 8036 - P	35	16.0	30.00	8.3	12.7	500
ONKA - 8039 - P	50	20.0	36.00	10.3	15.0	500



INSULATED TWIN CORD END TERMINAL DIN NORM 46228

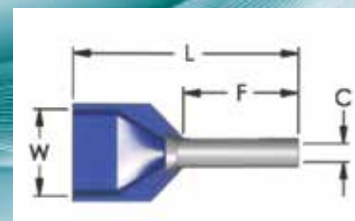
CODE	CROSS SECTION (mm ²)	F	L	C	W	PCS/BOX
ONKA - 8161-P	2 x 0.50	8.0	15.0	1.5	2.5 / 4.7	500
ONKA - 8162-P	2 x 0.75	8.0	15.0	1.8	2.8 / 5.0	500
ONKA - 8164-P	2 x 1	8.0	15.0	2.05	3.4 / 5.4	500
ONKA - 8166-P	2 x 1.5	8.0	16.0	2.3	3.6 / 6.6	500
ONKA - 8168-P	2 x 2.5	10.0	18.5	2.8	4.2 / 7.8	500
ONKA - 8170-P	2 x 4	12.0	23.0	3.7	4.9 / 8.8	500
ONKA - 8171-P	2 x 6	14.0	26.0	4.8	6.9 / 10.0	500
ONKA - 8172-P	2 x 10	14.0	26.5	6.4	7.6 / 12.8	500
ONKA - 8173-P	2 x 16	14.0	31.5	8.3	9.6 / 18.6	500



NON-INSULATED CORD END TERMINAL DIN NORM 46228

CODE	CROSS SECTION (mm ²)	L	C	W	PCS/BOX
ONKA - 8102 - P	0.50	10.0	1.0	2.1	1.000
ONKA - 8105 - P	0.75	10.0	1.2	2.3	1.000
ONKA - 8108 - P	1	10.0	1.4	2.5	1.000
ONKA - 8112 - P	1.5	10.0	1.7	2.8	1.000
ONKA - 8117 - P	2.5	12.0	2.2	3.4	1.000
ONKA - 8121 - P	4	12.0	2.8	4.0	1.000
ONKA - 8125 - P	6	12.0	3.5	4.7	1.000
ONKA - 8128 - P	10	12.0	4.5	5.8	1.000
ONKA - 8131 - P	16	12.0	5.8	7.5	1.000

Made of copper (nickel plated)
 According to DIN 46228
 Standart insulated with polyamide,
 working temperature
 -40 °C - 105 °C

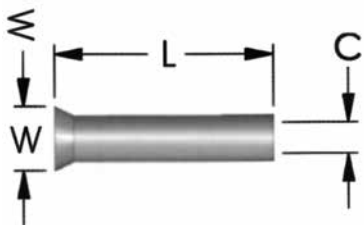


INSULATED TWIN CORD AND TERMINAL DIN NORM 46228

COLOUR CODES		
FRENCH	GERMAN	DIN

CODE	CABLE CROSS SECTION (mm ²)	F	L	C	W	PCS/BOX
ONKA - 8161	2 x 0.50	8.0	15.0	1.5	2.5/4.7	500
ONKA - 8162	2 x 0.75	8.0	15.0	1.8	2.8/5.0	500
ONKA - 8163	2 x 0.75	10.0	17.0	1.8	2.8/5.0	500
ONKA - 8164	2 x 1.0	8.0	15.0	2.05	3.4/5.4	500
ONKA - 8165	2 x 1.0	10.0	17.0	2.05	3.4/5.4	500
ONKA - 8166	2 x 1.5	8.0	16.0	2.3	3.6/6.6	500
ONKA - 8167	2 x 1.5	12.0	20.0	2.3	3.6/6.6	500
ONKA - 8168	2 x 2.5	10.0	18.5	2.8	4.2/7.8	250
ONKA - 8169	2 x 2.5	13.0	21.5	2.8	4.2/7.8	250
ONKA - 8170	2 x 4.0	12.0	23.0	3.7	4.9/8.8	100
ONKA - 8171	2 x 6.0	14.0	26.0	4.8	6.9/10.0	100
ONKA - 8172	2 x 10.0	14.0	26.5	6.4	7.6/12.8	50
ONKA - 8173	2 x 16.0	14.0	31.5	8.3	9.6/18.6	50

NON - INSULATED CORD AND TERMINALS DIN 46228



CODE	CABLE CROSS SECTION (mm ²)	L	C	W	PCS/BOX
ONKA - 8100	0.50	6.0	1.0	2.1	1.000
ONKA - 8101	0.50	8.0	1.0	2.1	1.000
ONKA - 8102	0.50	10.0	1.0	2.1	1.000
ONKA - 8103	0.75	6.0	1.2	2.3	1.000
ONKA - 8104	0.75	8.0	1.2	2.3	1.000
ONKA - 8105	0.75	10.0	1.2	2.3	1.000
ONKA - 8106	1.0	6.0	1.4	2.5	1.000
ONKA - 8107	1.0	8.0	1.4	2.5	1.000
ONKA - 8108	1.0	10.0	1.4	2.5	1.000
ONKA - 8109	1.0	12.0	1.4	2.5	1.000
ONKA - 8110	1.5	7.0	1.7	2.8	1.000
ONKA - 8111	1.5	8.0	1.7	2.8	1.000
ONKA - 8112	1.5	10.0	1.7	2.8	1.000
ONKA - 8113	1.5	12.0	1.7	2.8	1.000
ONKA - 8114	2.5	7.0	2.2	3.4	1.000
ONKA - 8115	2.5	8.0	2.2	3.4	1.000
ONKA - 8116	2.5	10.0	2.2	3.4	1.000
ONKA - 8117	2.5	12.0	2.2	3.4	1.000
ONKA - 8118	4.0	8.0	2.8	4.0	1000
ONKA - 8119	4.0	9.0	2.8	4.0	1000
ONKA - 8120	4.0	10.0	2.8	4.0	1000
ONKA - 8121	4.0	12.0	2.8	4.0	1000
ONKA - 8122	4.0	15.0	2.8	4.0	1000
ONKA - 8123	4.0	18.0	2.8	4.0	1000
ONKA - 8124	6.0	10.0	3.5	4.7	500
ONKA - 8125	6.0	12.0	3.5	4.7	500
ONKA - 8126	6.0	15.0	3.5	4.7	500
ONKA - 8127	6.0	18.0	3.5	4.7	500
ONKA - 8128	10.0	12.0	4.5	5.8	200
ONKA - 8129	10.0	15.0	4.5	5.8	200
ONKA - 8130	10.0	18.0	4.5	5.8	200
ONKA - 8131	16.0	12.0	5.8	7.5	100
ONKA - 8132	16.0	15.0	5.8	7.5	100
ONKA - 8133	16.0	18.0	5.8	7.5	100
ONKA - 8134	25.0	15.0	7.3	9.5	100
ONKA - 8135	25.0	16.0	7.3	9.5	100
ONKA - 8136	25.0	18.0	7.3	9.5	100
ONKA - 8137	25.0	22.0	7.3	9.5	100
ONKA - 8138	35.0	16.0	8.3	11.0	75
ONKA - 8139	35.0	18.0	8.3	11.0	75
ONKA - 8140	35.0	20.0	8.3	11.0	75
ONKA - 8141	35.0	25.0	8.3	11.0	75
ONKA - 8142	50.0	18.0	10.3	13.0	25
ONKA - 8143	50.0	20.0	10.3	13.0	25
ONKA - 8144	50.0	25.0	10.3	13.0	25
ONKA - 8145	70.0	22.0	13.5	15.3	10
ONKA - 8146	70.0	25.0	13.5	15.3	10
ONKA - 8147	70.0	32.0	13.5	15.3	10
ONKA - 8148	95.0	25.0	14.7	16.6	10
ONKA - 8149	95.0	32.0	14.7	16.6	10
ONKA - 8150	120.0	30.0	16.7	18.0	10
ONKA - 8151	120.0	32.0	16.7	18.0	10
ONKA - 8152	120.0	34.0	16.7	18.0	10
ONKA - 8153	150.0	32.0	19.5	21.5	10
ONKA - 8154	150.0	38.0	19.5	21.5	10

Made of copper (nickel plated) according to DIN 46228 standard